



Wideband Iris Polarizer for Satellite Systems

Stepan Piltyay and Andrew Bulashenko

EasyChair preprints are intended for rapid dissemination of research results and are integrated with the rest of EasyChair.

May 26, 2021

Stepan Piltyay, PhD, Associate Professor
Andrew Bulashenko, Senior Lecturer

WIDEBAND IRIS POLARIZER FOR SATELLITE SYSTEMS

National Technical University of Ukraine “Igor Sikorsky Kyiv Polytechnic Institute”

Abstract

This research presents the design and characteristics of new wideband polarizer based on the square waveguide with irises. Matching and polarization characteristics of the polarizer have been simulated and optimized. Frequency dependences of the characteristics are presented. Developed polarizer can be applied in satellite information systems.

Keywords: microwave devices, telecommunication systems, polarizer, differential phase shift, crosspolar isolation, axial ratio, satellite information systems, antenna systems.

INTRODUCTION

Nowadays, new extended frequency bands are widely applied in modern satellite telecommunication systems and radio astronomy. In this regard the development of novel designs of waveguide polarizers is a relevant problem [1–5]. Such polarizers are an essential part of the feeds of satellite reflector antennas [6–8]. Waveguide polarizers based on sectoral [9–13] and coaxial ridged waveguides [14–16] are frequently applied in dual-band antenna feeds. The application of polarizers allows to operate at two orthogonal circular polarizations. Consequently, the volumes of the transmitted information in the system increase in two times.

SUGGESTED POLARIZER DESIGN

A waveguide polarizer is a microwave device, which performs the conversion of the electromagnetic waves with orthogonal circular polarizations into electromagnetic waves with linear polarizations. This operation is performed by the introduction of an additional differential phase shift of 90° between the modes of a waveguide with orthogonal polarizations.

Typically, polarizers and orthomode transducers are designed based on circular, coaxial [17–19], and square waveguides [20–27]. The main advantage of the iris polarizer is its most wideband operation compared to other designs. Besides, it provides efficient electromagnetic characteristics and good matching of a structure. The main disadvantage is the increase of the polarizer’s length for the wide and ultra wide operating frequency bands. In addition, polarizers based on the waveguides with irises are technological devices and they are easily fabricated using modern approaches.

Inner structure of typical structure of the waveguide iris polarizer is shown in Fig. 1. The polarizer is based on the square waveguide and several diaphragms.

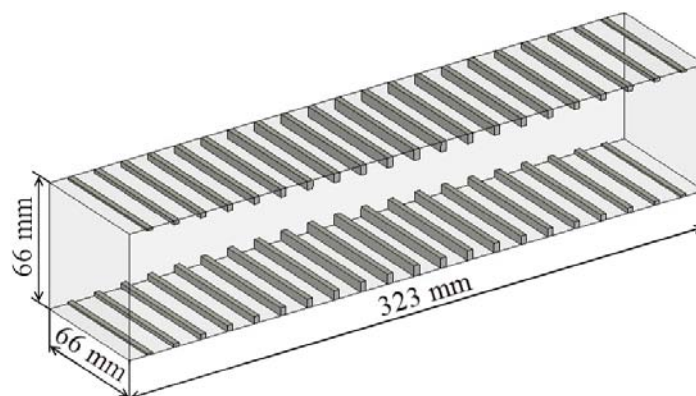


Fig. 1. The structure of a polarizer based on the square waveguide with irises

FREQUENCY PERFORMANCE OF THE DEVELOPED POLARIZER

The sizes of the waveguide and irises were varied for the optimization. The most important parameter of a polarizer is differential phase shift. Optimized differential phase shift of the polarizer is demonstrated in Fig. 2. The introduced differential phase shift is $90^\circ \pm 3^\circ$ in the operating satellite band 3.4–4.8 GHz. The crosspolar isolation of the polarizer is higher than 31 dB. Fig. 3 presents the frequency dependences of VSWR. The solid curve correspond to the vertical polarization. The dashed curve corresponds to the horizontal polarization. As one can see, VSWR is less than 1.1 for both polarizations of waveguide modes.

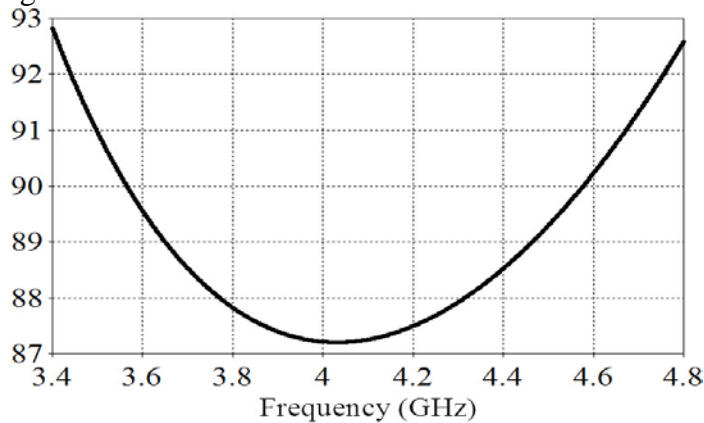


Fig. 2. Differential phase shift of a polarizer in the extended satellite C-band

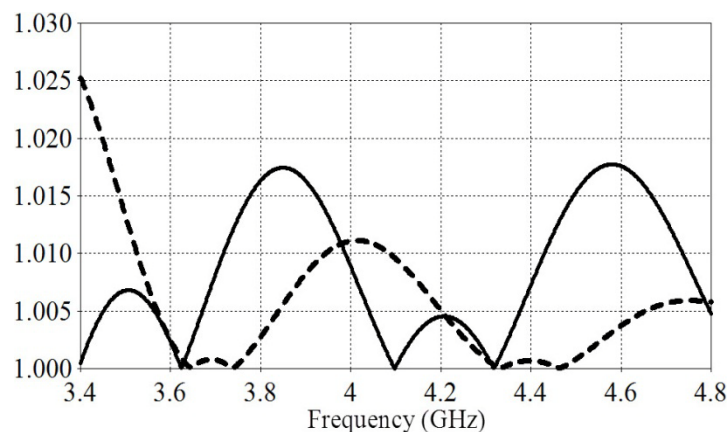


Fig. 3. VSWRs of a polarizer in the extended satellite C-band for both polarizations

CONCLUSIONS

Therefore, a new polarizer has been developed and optimized in the article. The structure consists of a square waveguide with metal irises in it. Developed polarizer provides efficient phase characteristic and good matching with low VSWR level. Optimized polarizer can be widely applied in modern satellite information systems.

REFERENCES

1. Dubrovka F. F., Piltyay S. I., et al. Optimum septum polarizer design for various fractional bandwidths. *Radioelectronics and Communications Systems*. 2020. Vol. 63, № 1. P. 15–23. DOI: 10.3103/S0735272720010021
2. Dubrovka F., Piltyay S., et al. Compact X-band stepped-thickness septum polarizer. *IEEE Ukrainian Microwave Week (UkrMW)*. Kharkiv, Ukraine, 2020, P. 135–138. DOI: 10.1109/UkrMW49653.2020.9252583
3. Piltyay S. I., Bulashenko A. V., Demchenko I. V. Waveguide iris polarizers for Ku-band satellite antenna feeds. *Journal of Nano- and Electronic Physics*. 2020. Vol. 12, № 5. P. 05024-1–5. DOI: 10.21272/jnep.12(5).05024
4. Dubrovka F. F., Piltyay S. I. A high performance ultrawideband orthomode transducer and a dual-polarized quad-ridged horn antenna based on it. *VIII International Conference on Antenna Theory and Techniques (ICATT)*. Kyiv, Ukraine, 2011. P. 176–178. DOI: 10.1109/ICATT.2011.6170737

5. Bulashenko A.V., Piltyay S.I., et al. Wave matrix technique for waveguide iris polarizers simulation. Theory. *Journal of Nano- and Electronic Physics*. 2020. Vol. 12, № 6. P. 06026-1–5. DOI: 10.21272/jnep.12(6).06026
6. Piltyay S. I., Sushko O. Yu., Bulashenko A. V., Demchenko I. V. Compact Ku-band iris polarizers for satellite telecommunication systems. *Telecommunications and Radio Engineering*. 2020. Vol. 79, № 19. P. 1673–1690. DOI: 10.1615/TelecomRadEng.v79.i19.10
7. Dubrovka F., Martunyuk S., Dubrovka R., Lytvyn M., Lytvyn S., Ovsianyk Yu., Piltyay S., et al. Circularly polarised X-band H11- and H21-modes antenna feed for monopulse autotracking ground station. *IEEE Ukrainian Microwave Week (UkrMW)*. Kharkiv, Ukraine, 2020, P. 196–202. DOI: 10.1109/UkrMW49653.2020.9252600
8. Piltyay S.I. High performance extended C-band 3.4–4.8 GHz dual circular polarization feed system. *XI Int. Conf. on Antenna Theory and Techniques*. Kyiv, Ukraine, 2017. P. 284–287. DOI: 10.1109/ICATT.2017.7972644
9. Dubrovka F. F., Piltyay S. I. Eigenmodes analysis of sectoral coaxial ridged waveguides by transverse field-matching technique. Part 1. Theory. *Visnyk NTUU KPI Serii – Radiotekhnika, Radioaparotobuduvannia*. 2013. Vol. 54. P. 13–23. DOI: 10.20535/RADAP.2013.54.13-23
10. Piltyay S. I. Numerically effective basis functions in integral equation technique for sectoral coaxial ridged waveguides. *14-th International Conference on Mathematical Methods in Electromagnetic Theory (MMET)*. Kyiv, Ukraine, 2012. P. 492–495. DOI: 10.1109/MMET.2012.6331195
11. Dubrovka F. F., Piltyay S. I. Electrodynamics boundary problem solution for sectoral coaxial ridged waveguides by integral equation technique. *Radioelectronics and Communications Systems*. 2012. Vol. 55, № 5. P. 191–203. DOI: 10.3103/S0735272712050019
12. Dubrovka F. F., Piltyay S. I. Eigenmodes of sectoral coaxial ridged waveguides. *Radioelectronics and Communications Systems*. 2012. Vol. 55, № 6. P. 239–247. DOI: 10.3103/S0735272712060015
13. Dubrovka F. F., Piltyay S. I. Prediction of eigenmodes cutoff frequencies of sectoral coaxial ridged waveguides. *Proceedings of International Conference on Modern Problem of Radio Engineering, Telecommunications and Computer Science (TCSET)*. Lviv–Slavske, Ukraine, 2012. P. 191.
14. Dubrovka F. F., Piltyay S. I. Eigenmodes of coaxial quad-ridged waveguides. Theory. *Radioelectronics and Communications Systems*. 2014. Vol. 57, № 1. P. 1–30. DOI: 10.3103/S0735272714010014
15. Dubrovka F. F., Piltyay S. I. Eigenmodes of coaxial quad-ridged waveguides. Numerical results. *Radioelectronics and Communications Systems*. 2014. Vol. 57, № 2. P. 59–69. DOI: 10.3103/S0735272714020010
16. Dubrovka F. F., Piltyay S. I. Boundary problem solution for eigenmodes in coaxial quad-ridged waveguides. *Information and Telecommunication Sciences*. 2014. Vol. 5, № 1. P. 48–61. DOI: 10.20535/2411-2976.12014.48-61
17. Dubrovka F. F., Piltyay S. I. Novel high performance coherent dual-wideband orthomode transducer for coaxial horn feeds. *XI Int. Conf. on Antenna Theory and Techniques (ICATT)*. Kyiv, Ukraine, 2017. P. 277–280. DOI: 10.1109/ICATT.2017.7972642
18. Piltyay S. I. Enhanced C-band coaxial orthomode transducer. *Visnyk NTUU KPI Serii – Radiotekhnika, Radioaparotobuduvannia*. 2014. Vol. 58. P. 27–34. DOI: 10.20535/RADAP.2014.58.27-34
19. Dubrovka F. F., Piltyay S. I. A novel wideband coaxial polarizer. *IX International Conference on Antenna Theory and Techniques (ICATT)*. Odesa, Ukraine, 2013. P. 473–474. DOI: 10.1109/ICATT.2013.6650816
20. Piltyay S. I., Bulashenko A. V., Demchenko I. V. Analytical synthesis of waveguide iris polarizers. *Telecommunications and Radio Engineering*. 2020. Vol. 79, № 18. P. 1579–1597. DOI: 10.1615/TelecomRadEng.v79.i18.10
21. Bulashenko A. V., Piltyay S. I., et al. Optimization of a polarizer based on a square waveguide with irises. *Science-Based Technologies*. 2020. Vol. 47, № 3. P. 287–297. (in Ukrainian). DOI: 10.18372/2310-5461.47.14878
22. Piltyay S. I., Bulashenko A. V., Demchenko I. V. Compact polarizers for satellite information systems. *IEEE Int. Conf. on Problems of Infocommunications. Science and Technology*. Kharkiv, Ukraine, 2020. P. 350–355.
23. Bulashenko A. V., Piltyay S. I., Demchenko I. V. Analytical technique for iris polarizers development. *IEEE Int. Conf. on Problems of Infocommunications. Science and Technology*. Kharkiv, Ukraine, 2020. P. 464–469.
24. Piltyay S. I. Wideband antiphase power combiner/divider. *IX International Scientific and Technical Conference «Modern Problems of Radio Engineering and Telecommunications»*. Sevastopol, Ukraine, 2013. P. 220.
25. Piltyay S. I. Wideband antiphase power combiner/divider. *Proceeding of IX International Scientific and Technical Conference «Modern Problems of Radio Engineering and Telecommunications 2009»*, Sevastopol, p. 220.
26. Bulashenko A. V., Piltyay S. I., Kalinichenko Y. I., et al. Tunable square waveguide polarizer with irises and posts. *Technical Engineering*. 2020. Vol. 86, № 2. P. 108–116. (in Ukrainian). DOI: 10.26642/ten-2020-2(86)-108-116
27. Piltyay S., Bulashenko A., Kushnir H., Bulashenko O. Information resources economy in satellite systems based on new microwave polarizers with tunable posts. *Path of Science*. 2020. Vol. 6, № 11. P. 5001–5010. DOI: 10.22178/pos.64-6