



Dual Axis Solar Tracking System

Banoth Abhishek, Cheruvu Bharathkumar, Popuri Pavaneshwar
and Manoj Sindhvani

EasyChair preprints are intended for rapid dissemination of research results and are integrated with the rest of EasyChair.

April 26, 2022

Dual Axis Solar Tracking System

Banoth Abhishiek¹, Cheruvu Bharath Kumar², Popuri Pavanesar³, Manoj Sindhwani⁴
Email: abhishiekbanoth601@gmail.com¹, cheruvubharathkumar@gmail.com², popuripavan764@gmail.com³,
manoj.16133@lpu.co.in⁵
Lovely Professional University, Phagwara

Abstract:

The extending interest in energy the, ceaseless decline in existing wellsprings of non-renewable energy source, also, the creating concern in regards to ecologicaldefilement has pushed humanity to examine new advancement for the making of electrical energy using unblemished, economical sources, similar to daylight-based energy, wind energy, etc. Among the forward-thinking manageable power sources, sun oriented based energy has inconceivable Changes to electric power have the possibility to be made, preparing it to guarantee critical piece of the planet's electrical energy requirements. Sun-fueled electricity is rapidly getting a standing as a critical technique for broadening reasonable power resources. More energy is made by following the sun-controlled charger to remain changed in accordance with the sun at the right point for the light emissions. Our endeavor centers around double pivot or twofold heading trackers. The sun-based board can be utilized in this system change its going through the X-Y co-ordinates. This assists greater directivity with Sun emanates, subsequently, developing the feasibility of the nearby planet group.

1.Introduction:

The difference in daylight-based light into electrical energy addresses conceivably the most uplifting and testing blazing development, in steady development, being flawless, calm and reliable, with particularly low help costs and inconsequential natural impact. A photovoltaic board is a contraption used to get the suns radiation. These sheets contain an assortment of daylight-based cells. The daylight-based cells are contained silicon (sand).

They are then connected with complete a photovoltaic (daylight-based charger. At the point when the sun's bars are event on the daylight-based cells, on account of the photovoltaic effect, light energy from the sun is used to transform it over to electrical energy. We realize that by far most of the energy gets held when the board surface is inverse to the sun. Fixed mounted PV (photo voltaic) loads up are essentially inverse to the sun one time every day, but the test is to get most noteworthy energy from the source, so for that we use cookers on which the whole structure is mounted.

In worldwide situating system, light-based chargers move as indicated by the progression of sun all through the range of the day. There are three strategies for following: dynamic, uninvolved, consecutive and manual worldwide situating system. In unique worldwide situating structure, the spot of the not forever set up by the sensors. These sensors will set off the motor to shift the mounting framework so the sheets would persistently feature the sun emanates backwards to it all through the range of the day. In any case, in this design, it is verifiably going after for sensors to pick the spot of sun in obscure days.

Subsequently, it's beginning and end aside from an extremely definite. In its Passive worldwide situating system, which finishes up the spot of the sun by moving the sheets considering an awkwardness strain between the two fixations at the two terminations of the trackers. The disproportion pressure accomplished by sun-arranged heat makes a gas strain on a low edge of rising over compacted gas liquid that is going aside or the other as required, which then, at that point, moves the framework. This framework is besides not definite as the shade/reflectors that are utilized to mirror early morning light to "mix" the board and tendency it towards the sun can require almost an hour to do accordingly. An organized tracker is a clock-based following construction by which the arrangement is moved at a fitting rate all through the range of the day.

The hypothesis behind this is that the sun gets over the sky at the authentic charge. Hence, the engine or actuator is changed to persistently turn at a languid normal speed of one change consistently (15 degrees consistently). This technique for sun-following is amazingly exact. Notwithstanding, the persevering commotion of the engine or actuator proposes more energy use and following the sun. In

the manual overall arranging structure, drives are supplanted by chiefs who change the trackers. This partakes in the advantages of fortitude, having staff accessible for upkeep and giving work to everybody nearby the site.

Tracker structures follow the sun all through the range of the day to develop energy yield. The Solar Tracker is a shown twofold center following headway that has been hand made to unite sunlight-based modules and reduction framework costs. The Solar Tracker makes up to 40% more energy than fixed mounting constructions and gives a bankable energy creation profile appreciated by utilities [3].

2. Theoretical Background:

Sun oriented energy frameworks, or PV frameworks, from smaller and basic as in pocket number crunchers to muddled and strong as in space station power supplies, are totally made conceivable because of the peculiarity called photovoltaic impact, the change from sun-based energy to coordinate flow power in particular kinds of semiconductors. The full comprehension of the cycle requires understandings of various physical science ideas, for example, photons and sun powered radiation, semiconductor structure, change between sunlight-based radiation, synthetic energy and electrical energy.

Inside the extent of this undertaking, which is fostering a following module, the standard of the peculiarity has simply been covered and cleared up for some degree. This piece of the paper will zero in on reasonable and designing parts of the point, like the construction of a PV framework, its subsystems and parts, mechanical arrangement, and other factors that impact PV frameworks' presentation and effectiveness. Particularly, the design of a sun powered global positioning framework will be covered, for certain physical science information behind its activity.

2.1 Photovoltaic Principle

2.1.1 Photovoltaic Effect:

In semiconducting materials, the scope of excitation energies is isolated by an energy hole called band hole. The one underneath band hole (valence band) is generally busy with electrons of the semiconductor molecules, and the one above (conduction band) is practically vacant. At the point when electron is all around invigorated by a measure of energy like the band hole, it leaps to the conduction band, making a couple of electron-opening. In natural semiconductor, the invigorated electron begins moving back as it loses energy (recombination). By adding different components to semiconducting materials, extraneous or doped semiconductors are made.

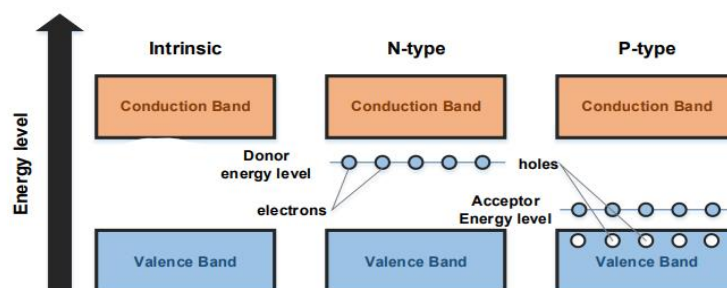


Figure 1: Excitement energy levels in characteristic and doped semiconductor. Changed from Nipun[1]

As figure 1 additionally shows, n-type semiconductors contain additional measure of free electrons from benefactor, and p-type semiconductors miss the mark on electrons in their covalence bonds. This makes electron the significant charge transporter in n-type and opening the significant charge transporter in p-type. While associating these two sorts of doped semiconductor, we have a P-N intersection. In a P-N intersection, some n-side electrons diffuse to the p-side as well as the other way around for p side openings, making an exhaustion area in the middle. This peculiarity is outwardly made sense of in figure 2 beneath.

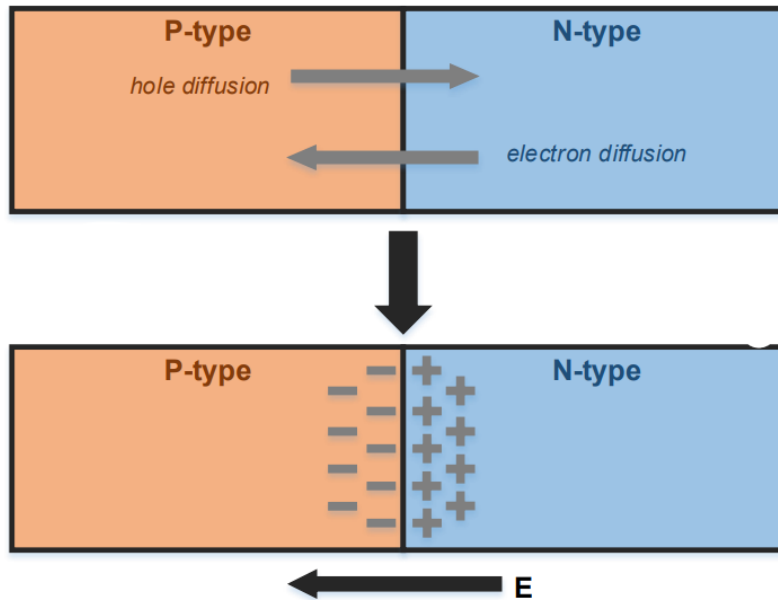


Figure 2: Exhaustion locale and electric field E made by disseminations of electrons and openings in P-N intersection. Adjusted from Wikimedia [2]

The exhaustion area in figure 2 contains positive charged piece of n-type and negative charged piece of p-type semiconductors. This makes an electric field that forestalls further dissemination of electrons and openings, arriving at a harmony. When presented to the daylight, sets of electron-opening are made in the consumption district, and that electric field clears electrons and openings to N-side and P-side, separately. Interfacing an outer circuit permits electrons (from n-side) to go through and recombine with openings at the opposite end (p-side). This interaction delivers an electric flow that drive the heap, as displayed in figure 3.

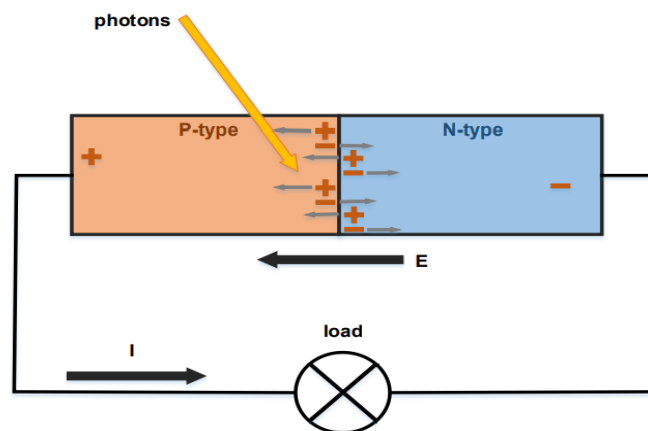


Figure 3: Event of electric flow I when an outer circuit was associated with a P-N junction. Modified from Apec [4]

The impact made sense of in figure 3 is known as the photovoltaic impact. Photovoltaic impact is the establishment for photovoltaic innovation, that takes advantage of the sunlight-based power utilizing semiconducting materials.

2.1.2 Photovoltaic Materials and Solar cell:

Well known PV materials displayed in figure 4, like Silicon [S], Indium phosphide [InP], Gallium arsenide [GaAs], Cadmium telluride [CdTe] or Cadmium selenide [CdSe], have otherworldly awarenesses match to the frequencies of the sun-oriented radiation range, since they have band holes compare to lights of those frequencies. They are the most appropriate to make sunlight-based cells, the structure squares of any sun-oriented PV frameworks. By applying various materials in multi-intersection cell, more extensive scope of sun-based range can be assimilated, which expands the productivity of the sun powered cell.

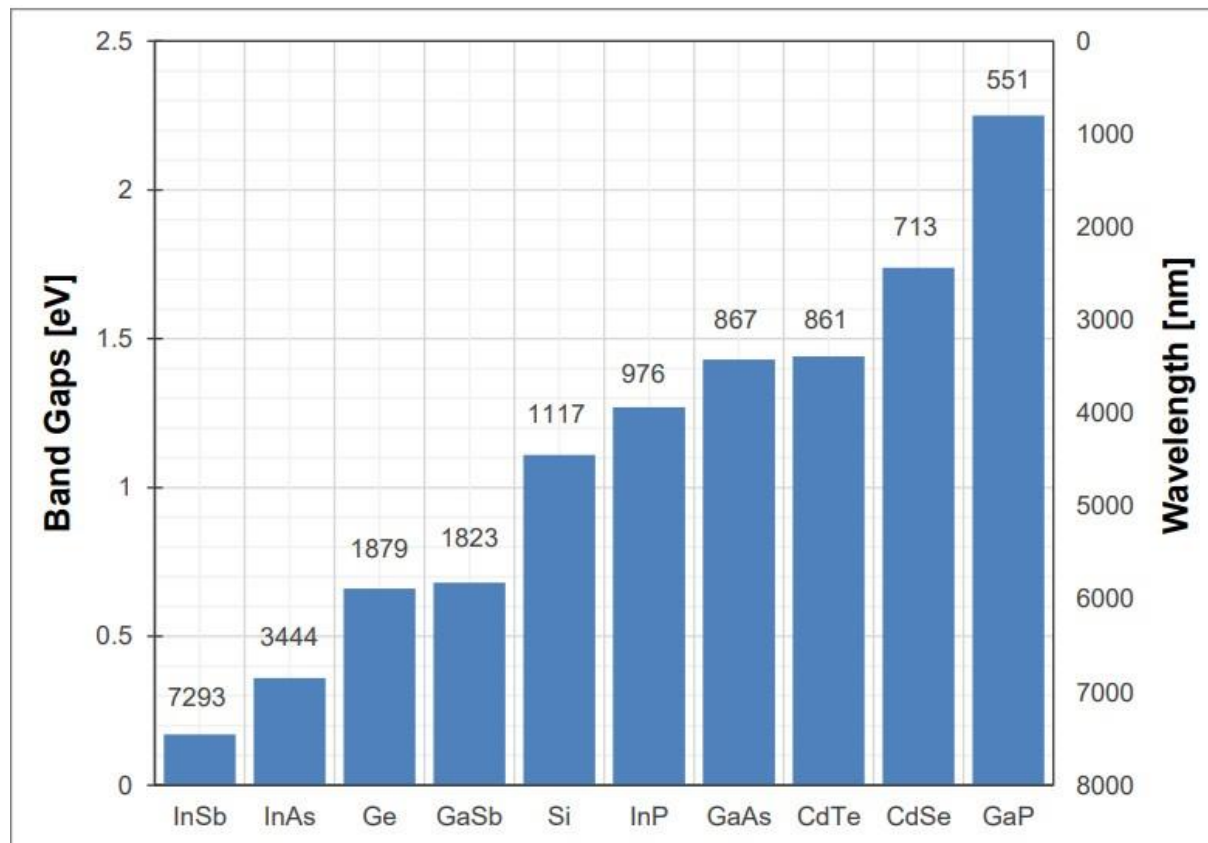


Figure 4: Band hole levels of common semiconducting materials and comparing light's frequency values. Information accumulated from Georgia State University [5] and Michigan State University [6].

Among the materials referenced in figure 4, the most famous kind of PV material is silicon [si], because of its photovoltaic trademark and accessibility. Silicon material is artificially filtered from silica sand into the type of translucent silicon [c-si], either monocrystalline or then again polycrystalline. Creation of c-Si sun-oriented cells was chiefly founded on the way of behaving of silicone p-n intersection referenced previously. Innovation for creating translucent silicon cells is reasonably modest for large scale manufacturing, so they are the most utilized materials. Sunlight based cells produced using c-si

materials have normal productivity of 15% to 20%, and that's what that intends they can change over around 15% to 20% of gotten daylight energy. State-of-the-art, more present-day innovations have been created to deliver better PV materials, like meagre film sun powered cells, or concentrator photovoltaic, which cost all the more yet has better trademark and their proficiency can reach 20% to 25%.

Common silicon PV cells are produced in the size of 10 cm x 10 cm, which can supply power yield between 1 W and 1.5 W at a voltage of 0.5 to 0.6 V, which isn't common sense for any applications. That is the reason numerous sun-oriented cells are generally associated in series to give higher voltages, in a PV sun-based module. The size of a sun-based module is planned by producers as indicated by the application's particular. Sun oriented module is the fundamental part of PV generator, which is the core of each and every sunlight-based PV framework.

2.2.1 Improvement by using tracking system:

Fix mount choices have numerous downsides for the presentation of a sun-oriented PV framework. Sun based trackers can tackle the centre issue by limiting the skewed point between daylight's immediate bars and the boards. Utilizing various method for mechanical modules, sunlight-based trackers can pivot the boards to the advanced position all through the entire effort of the framework.

Table 1: Pros and Cons of the trackers over fixed mount's:

Pros	Cons
High power efficiency High Accuracy Functioning time bit longer Better life time for solar panels	Complicate to design High cost More regrettable resilience against atmospheric condition

Dynamic trackers then again, use engine framework to control the development of boards in single-or double hub, by noticing the Sun's position utilizing photograph sensors. The operation of this kind of trackers is overseen by regulator or PC. Dynamic trackers regularly cost more to the framework, however give the best precision and proficiency contrasted with different arrangements. A double pivot tracker can give extra 40% of sun-oriented energy throughout the year, contrasted with typical fixed mounting framework.

2.2.2 Active Solar Trackers:

Among the presented sunlight based global positioning frameworks, dynamic sun-oriented tracker is the picked subject of exploration for this undertaking, as a result of its broad usage of electrical and electronic familiarities. It is additionally the most carried out answer for catching the daylight of PV frameworks. Along with better assembling advancements of PV materials, improving the activity of dynamic sunlight-based trackers is the most productive method for bettering adventure the tremendous energy measure of the Sun.

In light of revolution of sunlight-based modules, dynamic sun-oriented trackers can be classified into two fundamental sorts: single axis and double axis. In single axis trackers, sunlight-based PV boards are axis about a solitary hub that ordinarily lines up with the north meridian. Single axis can be designed in a number or ways as indicated by the place of the axis concerning the ground:

- Tilted single-axis tracker.
- Horizontal single-axis tracker.
- Vertical single-axis tracker.

Single Axis Tracker permit the sun-oriented modules to axis between east-west headings as indicated by the Sun's positions. Single Axis Trackers give sensibly great harmony between adaptability, effortlessness what's more, execution.

Double axis tracker can be viewed as the update of single axis tracker, where the opportunity of development is stretched out to two separate bearings.

- Tip-tilt double axis tracker.
- Horizontal double axis tracker.
- Azimuth-elevation double axis tracker.

Contrasted with different kinds of mounting, Dual Axis Tracker permit the most stretched out scope of sun powered modules' development. Along these lines, PV generator will actually want to work at a higher proficiency, for a more extended time frame during daylight perceivability.[7,8]

3.1 Objectives and Scope of the project:

As presented, the objective of this undertaking was to assemble a limited scale, working and plan of the tracker was made to accomplish the accompanying goals:

- ✓ The PV module are immovably mounted on the highest point of a shaft.
- ✓ The tracker can distinguish the misalignment between PV module and the Sun's immediate shaft because of its development.
- ✓ The tracker can turn the PV module in two tomahawks.
- ✓ The tracker can perform recognition and rectification tediously over the course of the day.
- ✓ Plan of the tracker is fit for incorporating into greater frameworks.
- ✓ It's feasible to gather yield information from the framework, for testing and assessing processes.

Inside the extent of a lab model, plan and execution of this venture were not supposed to be a finished item for business use. They were ideally done as a base answer for future improvement of different applications.

3.1.1 Hardware design:

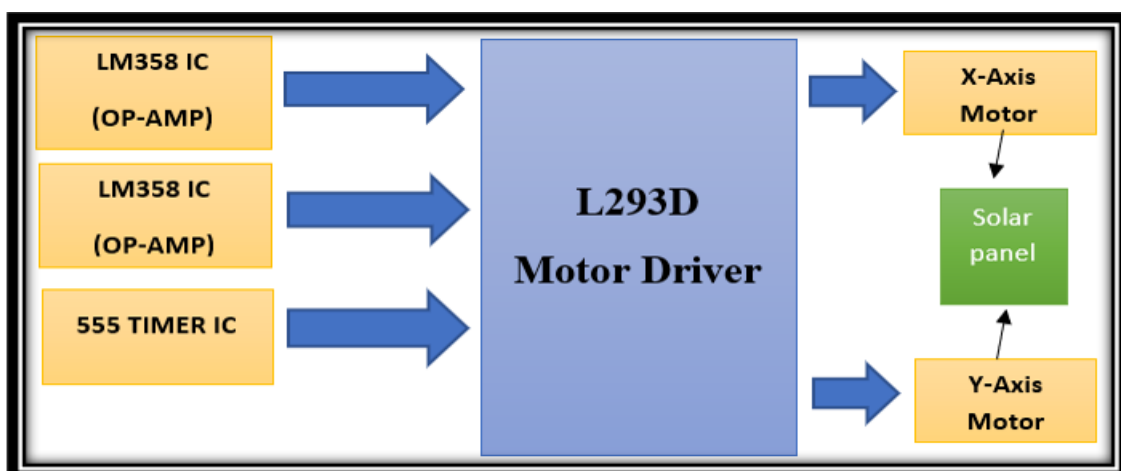


Figure 5; Block Diagram of Hardware

3.1.2 Selection of key components:

1. Breadboard
2. LM358 IC – 02
3. 555 Timer
4. LDR sensors – 04
5. L293D Motor Driver
6. 10k Resistor – 04
7. 1k Resistor – 05
8. Blue LED -04
9. 104pf capacitor
10. 103pf capacitor
11. 10k variable resistor
12. 100k variable resistor
13. 4148 diodes
14. MG996 Servo motor
15. Female Header
16. 5v 6W Solar Panel
17. Battery

3.1.3 Circuit diagram:

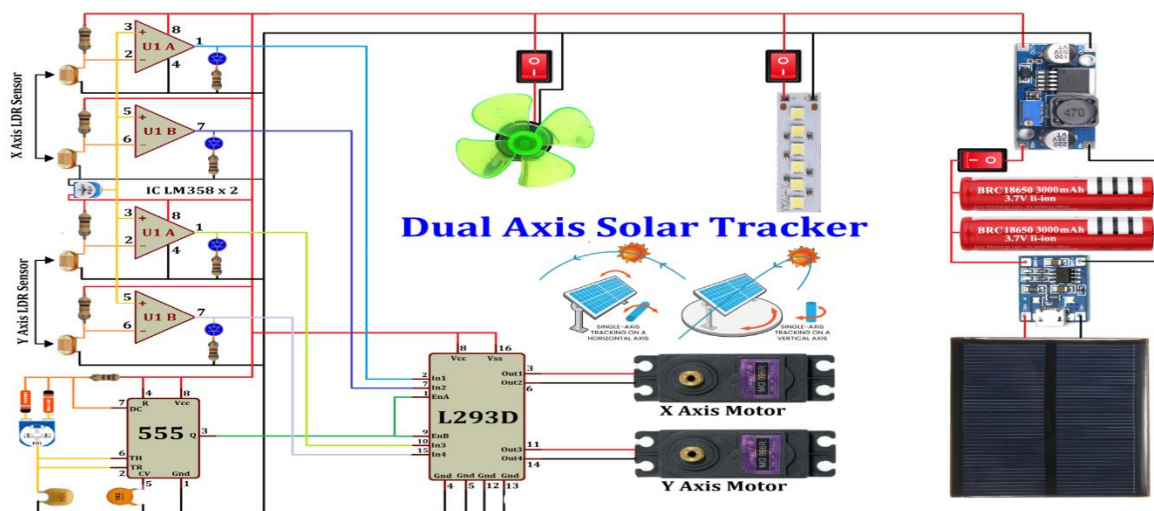


Figure 6: Circuit diagram

4. Result and Discussion:

Toward the finish of the venture, a limited scale and practical tip-slant double axis sun-based tracker. Completely designed and implemented.

- ✓ Turning a PV board in two distinct axis.
- ✓ Identifying the misalignment between PV board and the sun.
- ✓ Accurately turning PV board to realign PV board.

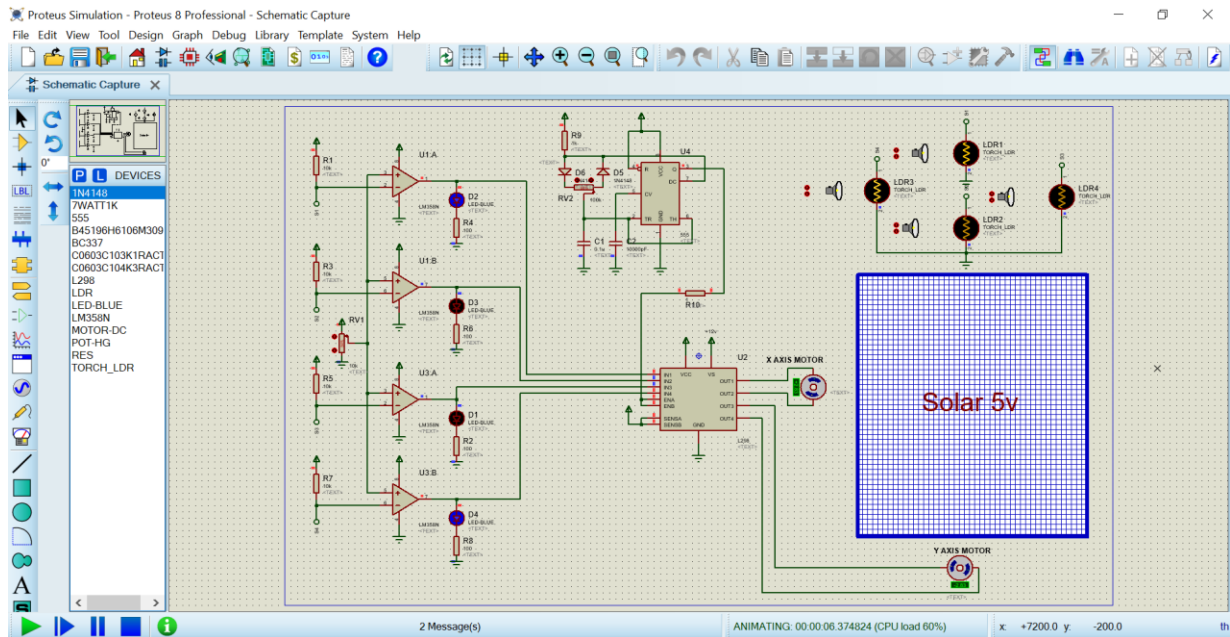


Figure 6: Outcome of project in proteus software

5. Conclusion:

A couple of suns situated progressions are open accessible. In any case, this double pivot following development has higher energy gain differentiating and both fixed daylight-based charger and single hub sun situated following headways. Dual axis tracker follows the sun much better as compared to single axis tracker. It consists of two motors, one for x-axis rotation and other for y-axis rotation. The L293D motor driver to controls the motors such that all LDR sensors receive maximum amount of light which ensures that solar panel is also receiving maximum sunlight for maximum power generation.

6. Reference:

1. Nipun, "Distinction Between p-type and n-type Semiconductor," [Online].
URL: <http://pediaa.com/distinction-between-p-type-and-n-type-semiconductor/>.
2. Wikimedia Foundation, Inc., "Exhaustion locale," Wikimedia Foundation, Inc., [Online].
URL: https://en.wikipedia.org/wiki/Depletion_region.
3. vishalnagarcool.blogspot.com
4. Apec Virtual Center, Japan, Guideline of Electricity Generation by Photovoltaic Cells,. [Online].
URL: <http://www.apecvc.or.jp/e/module/tinyd0/index.php?id=75>. Gotten to 10 May 2016.
5. R. Nave, "Semiconductor Band Gaps," [Online].
URL: <http://hyperphysics.phyastr.gsu.edu/hbase/table/semgap.html>.
6. Michigan State University | Department of Chemistry, "Recurrence - Wavelength - Energy Converter," [Online].

[URL:https://www.chemistry.msu.edu/staff/reusch/virttxtjml/cnvcalc.html](https://www.chemistry.msu.edu/staff/reusch/virttxtjml/cnvcalc.html).

7. N. J. Parmar, A. N. Parmar and V. S. Gautam, Passive Solar Tracking System, International Journal of Emerging Technology and Advanced Engineering.

8. C. Juda, "5 Ways to Track Your Solar Tracker," [Online]. URL: <http://blog.pepperl-fuchs.us/blog/bid/253098/5-Ways-to-Track-Your-Solar> Tracker.