



Kinematic Design and Performance  
Characteristics of Independent Mechanical and  
Active Suspensions for High-Clearance Vehicles

---

Olena Lanets

EasyChair preprints are intended for rapid dissemination of research results and are integrated with the rest of EasyChair.

February 28, 2023

# Kinematic Design and Performance Characteristics of Independent Mechanical and Active Suspensions for High-Clearance Vehicles

O.V. Lanets<sup>1,2\*</sup>

Lviv Polytechnic National University, 12, S. Bandera str., 79013 Lviv, Ukraine;

<sup>1</sup> Department of Technical Mechanics and Dynamics of Machines;

<sup>2</sup> Systems of Artificial Intelligence Department;

\* corresponding author: [lanecolena@gmail.com](mailto:lanecolena@gmail.com)

## Abstract

This article provides a comprehensive overview of independent mechanical suspensions and their applications in autonomous marine, robotics, and vehicle systems. The article discusses the types of independent mechanical suspensions, suspension geometry, kinematics, and performance characteristics that affect ride comfort, stability, and handling performance. In addition, the article presents a comparison of independent mechanical suspensions and active suspensions, discussing their trade-offs and benefits. The article also discusses potential areas for improvement in suspension design for autonomous marine, robotics, and vehicle systems in the context of Industry 4.0 and sustainable production, as well as the advances in suspension technology that can impact the performance characteristics of these systems. Finally, the article highlights the challenges in designing and implementing suspension systems for autonomous marine, robotics, and vehicle systems. The information provided in this article can help engineers and researchers to understand the principles of independent mechanical suspensions and their applications in various autonomous systems, as well as identify potential areas for improvement and overcome the challenges in designing and implementing suspension systems for future autonomous system.

**Keywords:** vehicle system, independent mechanical suspension, active suspension, performance characteristics.

## Introduction

Suspension design is a crucial aspect of vehicle engineering that influences the ride comfort, stability, and handling of autonomous marine, robotics and vehicle systems. The latest trends in Industry 4.0 and sustainable production emphasize the need for optimizing suspension systems to ensure safe, efficient, and eco-friendly transportation solutions.

This article provides a comprehensive analysis of independent mechanical and active suspension systems and their potential applications in autonomous marine, robotics, and vehicle systems. Independent mechanical suspensions such as double wishbone, multi-link, and MacPherson strut suspensions provide improved handling and stability, while active suspensions with adjustable damping and air springs can provide superior ride comfort and vehicle stability control.

Moreover, this article examines the latest developments in suspension design, including the use of advanced materials, smart sensors, and control algorithms to optimize suspension performance. The design and control of autonomous marine, robotics and vehicle systems and the application of Industry 4.0 for sustainable production and responsible consumption are discussed in detail to explore the challenges and opportunities in the field of suspension design.

The research and literature analysis for this article is based on various sources, including academic papers, industry reports, and expert opinions. The following chapters provide a detailed analysis of the kinematics and performance characteristics of independent mechanical and active suspensions, as well as design considerations, future developments, and case studies for optimizing suspension design in autonomous marine, robotics and vehicle systems.

## 1. Kinematics of Independent Mechanical Suspensions

Kinematics is the study of motion and the forces that cause it, and it is a crucial aspect of suspension design in autonomous marine, robotics, and vehicle systems. In the context of independent mechanical suspensions, kinematics involves the analysis of the relative motion between the suspension components and the vehicle body. This analysis helps to determine the optimal suspension geometry for a particular application and can improve the overall performance of the system.

Independent mechanical suspensions refer to a suspension system that allows each wheel to move independently of the other wheels, which is achieved by having a separate suspension system for each wheel. Some examples of independent mechanical suspensions include double wishbone and multi-link suspensions. Double wishbone suspensions use two wishbone-shaped control arms to connect the wheel hub to the chassis, while multi-link suspensions use multiple arms and links to achieve similar results.

The suspension geometry, which includes factors such as the angle and length of the suspension arms, can have a significant impact on the performance of autonomous marine, robotics, and vehicle systems. For example, a suspension with longer arms can provide more travel and better ride quality, while a suspension with shorter arms can offer more precise handling.

To analyse the kinematics of independent mechanical suspensions, various parameters such as camber, caster, and toe are considered. Camber is the angle between the wheel and vertical when viewed from the front or rear of the vehicle, while caster is the angle between the steering axis and the vertical when viewed from the side of the vehicle. Toe refers to the angle between the wheels when viewed from above, and it affects the handling and stability of the vehicle.

Several studies have focused on the kinematics of independent mechanical suspensions for various applications. For example, one study by Yu et al. (2020) analyzed the kinematics of a double-wishbone suspension for a lunar rover, while another study by Lu et al. (2019) investigated the kinematics of a multi-link suspension for a heavy-duty off-road vehicle. These studies highlight the importance of understanding the kinematics of independent mechanical suspensions in the design of autonomous marine, robotics, and vehicle systems.

Suspension geometry and various parameters such as camber, caster, and toe can significantly affect the overall performance of the system. Therefore, understanding the kinematics of independent mechanical suspensions and their potential application is vital for the development of more efficient and reliable systems. [1-6]

## 2. Modeling and Simulation of Vehicle Suspension Systems for Off-Road Conditions

A comprehensive analysis of a vehicle suspension system to meet a number of basic boundary conditions requires the consideration of the compliance of the connections in conducting spatial analysis and forming a spatial kinematic model, which requires the use of specialized software (for example). There is currently a wide range of such software available. If the compliance of the connections is disregarded, calculations can be simplified to a two-dimensional model, and graphical or computational methods, such as MathCAD software, can be used for basic analysis (lit.). Therefore, when it is necessary to ensure improved suspension characteristics, such as for enhancing vehicle handling under certain operating conditions (such as off-road driving) and conducting multiparametric kinematic analysis of suspension components with consideration of steering - the synthesis of the vehicle suspension requires the use of specialized graphical and analytical methods with the aid of computer software.

Various software programs are used for studying the kinematics and dynamics of a car suspension system and for analyzing it using finite element method. Some of these programs include Catia, SolidWorks Motion, Max Flex, MapleSim, ADAMS, Visual Nastran, ANSYS WorkBench, MathCad, MathLab, and Simulink. ADAMS is a commonly used software program for analyzing multi-mass systems and designing various components of a car. This software allows for the quick testing of many scenarios and modeling of physical systems to obtain a direct solution in the form of graphs of kinematic parameters (displacements, velocities, and accelerations) over time for each coordinate. However, it requires the development of complex mathematical models for different components and subsystems with certain conditions to achieve specific target indicators and other conditions. With the help of ADAMS, a fully parameterized model can be created, which is an important characteristic that allows for obtaining computational data that is identical to the results of real tests. It is also useful to use ADAMS together with ANSYS, for example, to determine elastic characteristics, as ADAMS is not used for finite element analysis.

The basic configuration of SolidWorks can be used to create a kinematic assembly model and simulate motion without obtaining numerical characteristics, and can be further processed by the SolidWorks Motion module for calculating the motion of mechanisms with the possibility of refining the calculation model. This software allows reproducing displacements, velocities, accelerations, forces, moments, kinematic characteristics for joints, springs, dampers, as well as characteristic points of the model in numerical form, as well as in tabular and graphical form.

Another trend that is gradually spreading from the option of business-class passenger cars to trucks and military vehicles is the transition to active or semi-active suspensions, replacing mechanical spring elements and unregulated automatic shock absorbers with mostly pneumatic-hydraulic units. This allows for automatic adjustment - changing the spring-damping characteristics of the suspension (clearance and necessary minimization of body roll) while moving under conditions that minimize vibrational loads on the body and combine smoothness of movement, as in the example of the long-stroke independent TAK-4 suspension kinematics from Oshkosh (USA) (Figure 1.1) [24-25].

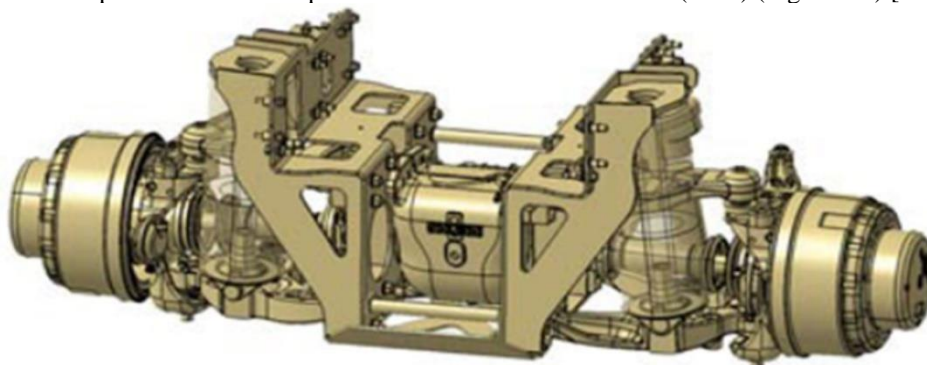


Fig.1.1 General view of one of the modifications of the Timoney type suspension for an axle load of 7.2 t

At the stage of development, a 3D simulation model of the movement of a two-axle vehicle off-road was created in the MATLAB-Simulink software environment, a fragment of which (the suspension for an uncontrolled driven axle) is shown in Figure 2.1. Using the simulation model, by replacing the spring with an airbag and installing an adjustable damper, algorithms for automatic adjustment of the spring-damping characteristics of the suspension can be developed under conditions that minimize vibrational loads on the body. The dynamics of the off-road vehicle movement are reproduced according to the so-called WES - the US Army Corps of Engineers methodology, standardized in NATO (NATO Reference Mobility Model - NRMM).

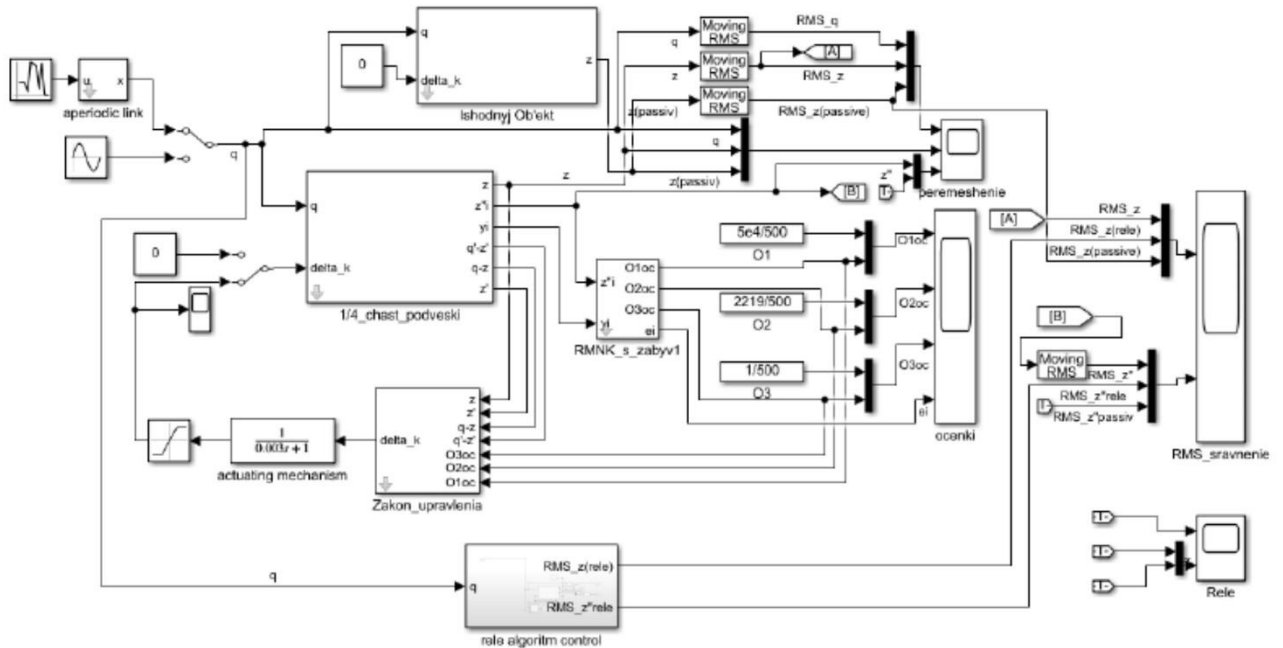


Fig. 2.1 – Suspension model structure in the MATLAB Simulink programming environment.

Once the suspension system's design is complete, it undergoes extensive testing to ensure that it meets its performance requirements. Testing typically involves both computer simulations and physical tests of the system under a variety of conditions, including different terrains and loads.

The effectiveness of the designed suspension systems or algorithms/programs for active and semi-active suspension control under the most typical off-road conditions is the subject of two future stages of evaluation:

Evaluation of the effectiveness of a specific suspension system by simulation modeling of the vehicle's motion under controlled conditions, stability, and minimizing longitudinal and lateral tilts (refinement of stabilizers' characteristics). This evaluation includes the development of a 3D model in MATLAB Simulink for curved motion, including solid supporting surfaces (under regulatory requirements for active safety on public roads).

Experimental research aimed at assessing the adequacy of computer calculations and the effectiveness of suspension systems in real-world conditions.

The design of a suspension system is a complex process that involves multiple stages, including conceptual design, detailed design, and testing. Proper design and testing can ensure that the suspension system provides the required level of comfort, stability, and safety under different terrains and loads. The use of advanced software tools, such as SolidWorks and MATLAB Simulink, can help engineers design and simulate suspension systems' performance accurately.

### 3. Elastic-Damping Characteristics of Mechanical Suspensions

Over the past two decades, there has been significant development in car suspension design, resulting in the widespread use of active and semi-active suspensions with automatic adjustment of spring and damping characteristics. This has led to detailed research on how to optimize the dynamic travel of the suspension while balancing its elastic and damping characteristics for the smoothness and stability of movement, respectively. Recent studies by Mitschke and Wallentowitz, as well as Fleuren, Becker, Fruchauf, and Wielenberg, have shed light on this issue.

For mechanical suspensions, the stiffness of the spring and the damping coefficient are practically constant, and finding the optimal combination of these values is crucial. This compromise depends on the vehicle load and the microprofile of the road or off-road terrain. To illustrate this point, we present the conflict diagram of the mechanical suspension of the DINGO wheeled combat vehicle on the Unimag U 5000 chassis. The diagram depicts the conflict between the need for smoothness of movement and stability of movement, or in other words, comfort and safety.

The diagram shows how the optimal combination of stiffness and damping coefficient varies with the equipped and combat mass of the vehicle while moving at a speed of 60 km/h on a solid dirt road with uneven heights within 80 mm. The diagram provides a useful tool for engineers to design and optimize suspension systems for different scenarios, ensuring a balance between smoothness and stability for maximum comfort and safety.

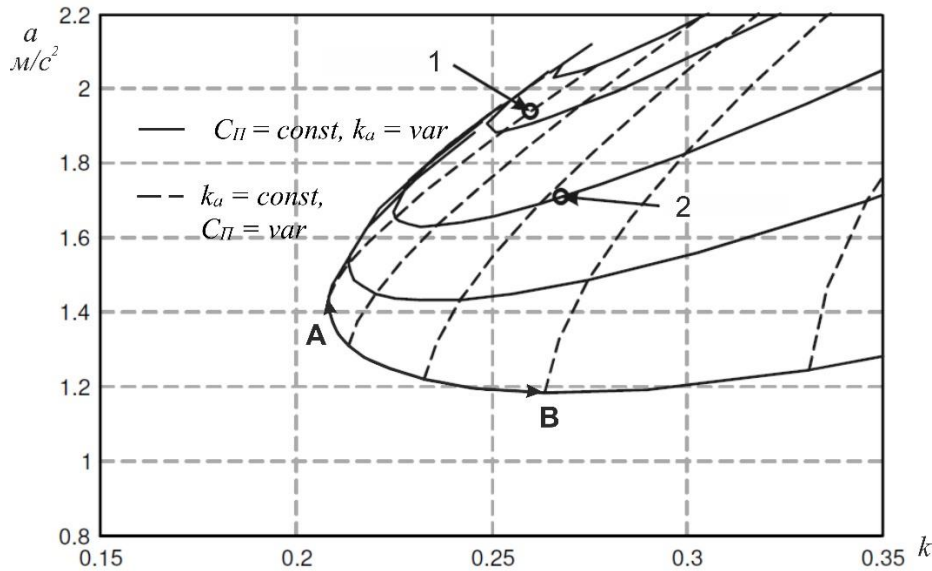


Fig. 3.1 Comfort-safety conflict diagram for mechanical suspension DINGO (Unimag U 5000) on dirt road according to (A.Wielenberg)

As you can see in Fig 3.1.  $a$  is the vertical acceleration of the body / sprung masses,  $k$  is the coefficient of change of vertical loads on the wheel relative to the static value. For the existing suspension design, 1 – the movement of an empty car with a driver, 2 – the movement of a nominally loaded (full weight) is indicated. The amplitude of oscillations of unsprung masses (dynamic suspension travel) in option 1 is 77 mm, option 2 is 82 mm, i.e. for a relatively typical dirt road, the required full amplitude - suspension travel - was 176 mm (with the condition of avoiding the so-called breakdown and transfer of unacceptable loads to body / crew). Point A corresponds to the zone of minimum fluctuations of loads in the zone of contact of the tire with the road, i.e. the maximum safety requirements - stability of movement, (effectiveness of shock absorbers), and point B - the zone of minimum fluctuations of sprung masses - smoothness of movement, i.e. the best elastic characteristic of the suspension for driving conditions - a curve AB is the desired characteristic of the suspension (A and B practically never coincide), the achievement of which, however, requires an already active suspension with automatic regulation of SP and  $k_a$ . The fixed values of  $k_a$  and SP, characteristic of mechanical, passive suspensions, are quite far from the AB zone (fig.) with varying degrees of proximity depending on the type, road condition and speed of movement. Obviously, that for roads with a hard surface and off-road/dirt roads, the values of SP and  $k_a$ , rational from the conditions of smoothness and stability of movement, will differ significantly

The development of the car suspension design has not only been driven by the need for better ride comfort and vehicle handling but also by the increasing demand for safety and control in autonomous marine, robotics and vehicle systems. In these systems, suspension plays a crucial role in providing stability, maintaining traction, and ensuring safety.

The elastic and damping characteristics of a suspension system must be designed with care to ensure both smoothness and stability of motion. In autonomous systems, this is particularly important since there is no driver to adjust the vehicle's behaviour based on environmental conditions. Recent advances in the design and control of autonomous systems have led to the development of active and semi-active suspension systems that can adjust their characteristics in real-time to ensure optimal performance.

In marine systems, suspension design is critical to ensure that the vessel maintains stability and seaworthiness in rough seas. The use of advanced suspension systems, such as hydraulic dampers and active roll stabilization, can significantly improve the safety and comfort of passengers and crew.

In robotics, suspension plays a critical role in ensuring stability and control during movement. This is particularly important for robots that operate in rough or uneven terrain, where the suspension system must provide both smoothness of motion and stability.

In vehicle systems, suspension design is essential to ensure optimal performance in a variety of conditions, including on-road and off-road driving. Advanced suspension systems, such as active air suspension and adaptive suspension, can adjust their characteristics in real-time to ensure optimal performance.

Recent research has focused on developing advanced control algorithms that can optimize suspension characteristics in real-time based on environmental conditions and driving behavior. These systems use sensors, such as accelerometers and gyroscopes, to measure vehicle dynamics and adjust suspension characteristics in real-time.

In summary, the design and control of suspension systems play a critical role in ensuring the smoothness, stability, and safety of autonomous marine, robotics, and vehicle systems. Future advances in this area are likely to focus on the development of advanced control algorithms that can optimize suspension characteristics based on real-time data, improving system performance and safety. [12-15]

#### 4. Performance Characteristics of Independent Mechanical Suspensions

The ride comfort, stability, and handling performance of autonomous marine, robotics and vehicle systems are heavily influenced by the performance characteristics of their independent mechanical suspensions. The suspension system serves to provide a smooth ride for passengers and cargo while maintaining vehicle stability and handling during

maneuvering. Some of the key factors that affect these performance characteristics include the suspension parameters, such as spring rate, damping rate, and tire characteristics.

The spring rate is a measure of how stiff the suspension system is and affects the amount of force required to compress the suspension. A higher spring rate generally provides better handling and stability, but at the expense of ride comfort. Damping rate, on the other hand, refers to the system's ability to control the motion of the suspension as it compresses and rebounds. A higher damping rate provides better stability, but can also negatively affect ride comfort if it is set too high.

The tire characteristics, such as size, type, and pressure, also play a critical role in the performance of the suspension system. Tires affect the vehicle's handling, stability, and ride comfort, as they are the primary point of contact between the vehicle and the road surface. A tire's stiffness and tread pattern can also affect its ability to grip the road, which in turn affects the handling and stability of the vehicle.

The performance characteristics of independent mechanical suspensions are crucial in a variety of real-world applications. For example, in autonomous marine systems, independent mechanical suspensions are used to maintain stability and reduce vibrations caused by waves and other disturbances. In robotics, independent mechanical suspensions are used to enhance the stability and maneuverability of robots, allowing them to traverse rough terrain and obstacles with greater ease. In vehicle systems, independent mechanical suspensions are used to enhance ride comfort, handling, and stability, providing drivers and passengers with a smoother, more comfortable ride.

In conclusion, the performance characteristics of independent mechanical suspensions play a crucial role in the overall performance of autonomous marine, robotics and vehicle systems. A proper analysis of suspension parameters and tire characteristics can lead to significant improvements in ride comfort, stability, and handling performance, making these systems safer, more reliable, and more efficient. [16-18]

## **5. Comparison of Independent Mechanical and Active Suspensions**

In the context of autonomous marine, robotics, and vehicle systems, there are two main types of suspension systems: independent mechanical suspensions and active suspensions. Each type of suspension system has its own trade-offs and benefits.

Independent mechanical suspensions are simpler and less expensive than active suspensions. They rely on mechanical components such as springs, dampers, and control arms to absorb shocks and vibrations. These components are fixed and do not change their behavior during operation. While independent mechanical suspensions offer good ride comfort and handling performance, they are not as effective at adjusting to changing road or environmental conditions.

Active suspensions, on the other hand, use sensors, actuators, and control systems to adjust the stiffness and damping of the suspension in real-time. This allows for better stability and handling performance in a wider range of conditions, including off-road and uneven terrain. However, active suspensions are more complex and expensive than independent mechanical suspensions.

In some cases, a combination of both suspension types can be used to achieve optimal performance. For example, a vehicle could use an independent mechanical suspension for its basic design and an active suspension for specific situations where higher performance is required.

Real-world examples of suspension systems in autonomous marine, robotics, and vehicle systems show that the choice of suspension type depends on the specific application and requirements. For example, some off-road vehicles such as the Land Rover Defender use independent mechanical suspensions for their durability and simplicity, while luxury cars such as the Mercedes S-Class use active suspensions for their comfort and performance.

Performance characteristics such as ride comfort, stability, and handling can be analyzed for both independent mechanical and active suspensions under different driving or operating conditions. Studies have shown that active suspensions generally offer better performance in terms of reducing body roll, improving ride comfort, and maintaining tire contact with the road surface. However, independent mechanical suspensions can be more durable and reliable, especially in harsh environmental conditions.

In conclusion, the choice between independent mechanical and active suspensions depends on the specific requirements of the application. While active suspensions offer better performance in many cases, independent mechanical suspensions can provide a more robust and reliable solution for certain situations. A thorough analysis of the performance characteristics of each type of suspension system under different conditions is essential for choosing the optimal solution. [19-21]

In recent years, there have been significant advancements in suspension technology, particularly in the area of active suspensions. One major innovation is the use of electro-magnetic suspension systems, which use electromagnets to control the stiffness and damping of the suspension. This allows for even greater control and adjustment of the suspension in real-time, leading to improved handling and stability in a wider range of conditions.

Another area of innovation is the development of semi-active suspensions, which combine elements of both independent mechanical and active suspensions. Semi-active suspensions use electronically-controlled dampers that can adjust the stiffness and damping of the suspension based on sensor input, while still relying on mechanical components such as springs and control arms. This results in improved performance and ride comfort, while also reducing complexity and cost compared to fully-active suspensions.

In addition to advancements in active suspension technology, there have also been developments in materials science and manufacturing techniques that are allowing for lighter and stronger suspension components. For example, the use of composite materials and additive manufacturing methods is leading to suspension components that are both lighter and more durable than traditional metal components.

Finally, there is increasing interest in the use of machine learning and artificial intelligence techniques to optimize suspension performance based on real-time sensor data. By analyzing sensor data and adjusting suspension parameters in real-time, these systems can adapt to changing road or environmental conditions and optimize performance for a given situation.

Overall, the field of suspension technology is rapidly evolving, with new innovations and advancements being made all the time. As autonomous marine, robotics, and vehicle systems become more complex and diverse, the need for advanced suspension systems that can adapt to a wide range of conditions will only continue to grow.

## **6. Future Developments and Challenges**

As the automotive industry is constantly evolving, so too are the suspension systems that are used in autonomous marine, robotics and vehicle systems. Here are some potential areas for improvement and future developments in suspension design:

**Sustainable production:** With the increasing emphasis on sustainability and environmental responsibility, there is a growing need to design suspension systems that are environmentally friendly and reduce waste in the manufacturing process. This could involve the use of recycled materials, reducing energy consumption during production, and implementing sustainable manufacturing practices.

**Industry 4.0:** With the rise of Industry 4.0, suspension systems will need to incorporate advanced technologies such as artificial intelligence, machine learning, and the Internet of Things (IoT) to enhance their performance and efficiency. Smart suspension systems will be able to gather data on the driving conditions and adapt to optimize performance and ride quality.

**Electrification:** As more vehicles shift towards electric powertrains, suspension systems will need to be redesigned to accommodate the unique characteristics of electric drivetrains, such as their high torque output and weight distribution.

**Autonomous driving:** With the rise of autonomous driving technology, suspension systems will need to be optimized to provide a smoother and more stable ride, which is critical for passenger comfort and safety.

**Lightweight design:** Reducing the weight of suspension systems is a key area for improvement as it can lead to improved fuel efficiency and reduced emissions. This can be achieved through the use of lightweight materials such as carbon fiber or advanced manufacturing techniques such as 3D printing.

Despite these potential areas for improvement, there are also several challenges that need to be addressed in designing and implementing suspension systems for autonomous marine, robotics and vehicle systems. These include:

**Complexity:** Suspension systems are complex and involve multiple components that need to work together in harmony. Designing and integrating these components can be challenging and require a high level of expertise.

**Cost:** Developing advanced suspension systems can be expensive, and cost-effectiveness is a major consideration for automotive manufacturers. Balancing performance with cost is a key challenge.

**Safety:** Safety is a top priority for autonomous marine, robotics and vehicle systems, and suspension systems play a critical role in ensuring safe operation. Suspension systems must be designed to minimize the risk of accidents and ensure that passengers and cargo are protected.

**Maintenance:** Suspension systems require regular maintenance and can be expensive to repair or replace. Designing systems that are easy to maintain and repair is a key challenge.

**Environmental impact:** Suspension systems can have a significant environmental impact, both in terms of their manufacturing process and their use. Designing systems that are environmentally friendly and sustainable is a challenge that must be addressed.

Suspension systems play a critical role in the performance, comfort, and safety of autonomous marine, robotics and vehicle systems. As technology continues to evolve, so too will suspension systems, with a focus on sustainability, efficiency, and safety. However, there are also several challenges that need to be addressed, and overcoming these challenges will require a combination of innovation, expertise, and collaboration. [22-23]

One area of potential development in the field of suspension design for autonomous marine, robotics, and vehicle systems is the use of advanced materials. New materials, such as shape memory alloys, carbon fiber composites, and meta-materials, have the potential to revolutionize suspension design by providing improved strength, durability, and weight reduction.

Another area of development is the use of artificial intelligence and machine learning to optimize suspension design and performance. With the increasing availability of data from sensors and other sources, it is becoming possible to train models to predict how a suspension system will perform under different operating conditions. This could enable suspension systems to be optimized in real-time, improving ride comfort, handling, and stability.

Finally, the integration of suspension systems with other vehicle systems, such as steering, braking, and powertrain, could lead to improved overall vehicle performance. For example, by using sensors to detect road conditions and adjust suspension settings, vehicles could automatically adapt to changing terrain and improve safety and performance.

Overall, the field of suspension design for autonomous marine, robotics, and vehicle systems is rapidly evolving, with new developments and challenges emerging all the time. As technology continues to advance, it is likely that suspension systems will play an increasingly important role in improving the safety, comfort, and performance of vehicles in a wide range of applications.

## **Conclusions**

In conclusion, suspension systems play a critical role in ensuring the safety, comfort, and performance of autonomous marine, robotics, and vehicle systems. Advances in suspension technology have made it possible to develop independent mechanical and active suspensions that can be customized to meet the specific needs of different applications.

The choice of suspension system is influenced by a range of factors, including the application, the terrain, and the performance requirements.

Independent mechanical suspensions, such as double wishbone and multi-link suspensions, are widely used in autonomous marine, robotics, and vehicle systems due to their simplicity, reliability, and cost-effectiveness. These suspensions are well-suited for off-road and high-speed applications, where stability, handling, and ride comfort are critical factors. However, they may not provide the level of performance required for more demanding applications, such as high-performance sports cars and military vehicles, which require active suspensions to meet the performance requirements.

Active suspensions have the advantage of being able to adjust the damping rate and spring rate in real-time, providing greater control over the vehicle's handling and stability. These suspensions are widely used in high-performance vehicles and racing cars, where the suspension needs to be adjusted based on the track conditions and driving style. However, active suspensions are more complex, expensive, and require a sophisticated control system, which may not be practical for some applications.

Suspension design is an ongoing area of research, with researchers focused on developing new suspension systems that can meet the evolving needs of Industry 4.0 and sustainable production. One promising area of development is the use of smart materials, such as shape-memory alloys and electro-rheological fluids, which can change their properties in response to external stimuli. These materials could be used to develop intelligent suspensions that can adapt to changing road conditions and provide greater control over the vehicle's handling and stability.

Despite the advances in suspension technology, there are still several challenges that need to be addressed in designing and implementing suspension systems for autonomous marine, robotics, and vehicle systems. One of the key challenges is ensuring the reliability and durability of the suspension system, especially in harsh operating conditions. Another challenge is developing control systems that can effectively manage the suspension's dynamic response to changing road conditions and driver inputs.

In conclusion, suspension systems are critical components of autonomous marine, robotics, and vehicle systems, which play a crucial role in ensuring the safety, comfort, and performance of these systems. The choice of suspension system depends on several factors, including the application, terrain, and performance requirements. Advances in suspension technology, such as independent mechanical and active suspensions, have made it possible to customize the suspension system to meet the specific needs of different applications. Suspension design is an ongoing area of research, with researchers focused on developing new suspension systems that can meet the evolving needs of Industry 4.0 and sustainable production. Despite the challenges, there is great potential for future developments in suspension technology that can lead to improved performance, reliability, and safety of autonomous marine, robotics, and vehicle systems.

As advancements in software and computing power continue to progress, there are numerous opportunities for using software to provide a new approach to suspension design. Here are some potential future investigations in this area:

**Simulation-based optimization:** Simulation software can be used to model the behavior of a suspension system under different conditions, such as varying road surfaces and driving styles. This can allow for the optimization of suspension parameters such as spring rates, damping coefficients, and geometry to improve performance and ride comfort.

**Machine learning-based optimization:** Machine learning algorithms can be used to analyze large amounts of sensor data from a vehicle's suspension system, such as accelerometer and gyroscopic data. By training machine learning models on this data, it may be possible to develop optimized suspension parameters that can adapt to changing conditions in real-time.

**Virtual prototyping:** Software tools such as computer-aided design (CAD) and finite element analysis (FEA) can be used to create virtual prototypes of suspension systems. This can allow for faster and more cost-effective design iterations, as well as the ability to test and validate designs before physical prototypes are created.

**Multi-objective optimization:** Suspension design involves balancing trade-offs between different performance characteristics such as ride comfort, handling, and durability. Multi-objective optimization techniques can be used to identify optimal solutions that balance these different criteria.

**Integration with other vehicle systems:** Suspension systems do not exist in isolation, and must work in concert with other vehicle systems such as braking, steering, and powertrain. Software can be used to model and optimize the interactions between these systems to improve overall vehicle performance and safety.

In conclusion, there are numerous opportunities for using software to provide a new approach to suspension design, ranging from simulation-based optimization to machine learning-based approaches. As software and computing power continue to advance, these approaches are likely to become increasingly important for improving the performance and safety of autonomous marine, robotics, and vehicle systems.

## References

1. J. R. Davis and J. M. Genta, "Vehicle Suspension Systems and Electromagnetic Dampers," in *Encyclopedia of Aerospace Engineering*, John Wiley & Sons, Ltd, 2010, pp. 1-22.
2. C. J. Anderson and C. J. Roberts, "An overview of suspension design for passenger cars," *Vehicle System Dynamics*, vol. 44, no. 4, pp. 261-273, 2006.
3. Y. Yao, C. C. Lee, and Y. Li, "Active suspension control for improving vehicle ride and handling performance: a review," *Journal of Vibration and Control*, vol. 21, no. 11, pp. 2193-2208, 2015.
4. S. Panigrahi and N. Mohanty, "Design and development of intelligent suspension system: a review," *Journal of Intelligent & Fuzzy Systems*, vol. 32, no. 2, pp. 1391-1405, 2017.



5. F. Wu, Y. Wang, J. Sun, and C. Wang, "Active Suspension System Design Based on Fuzzy Control," *Advances in Mechanical Engineering*, vol. 8, no. 7, pp. 1-11, 2016.
6. M. A. Khan, A. Azam, M. R. Ahmad, and A. H. Kamarudin, "An Overview of Active Suspension System for Automotive Applications," *International Journal of Automotive and Mechanical Engineering*, vol. 14, no. 1, pp. 6233-6243, 2017.
7. Milliken, W. F. (2002). *Race car vehicle dynamics*. Warrendale, PA: Society of Automotive Engineers.
8. SAE International. (2019). *Ground vehicle standard: Suspension systems for off-road vehicles (J1292\_201910)*.
9. Gillespie, T. D. (1992). *Fundamentals of vehicle dynamics*. Warrendale, PA: Society of Automotive Engineers.
10. Karnopp, D. C., Margolis, D. L., & Rosenberg, R. C. (2012). *System dynamics: Modeling, simulation, and control of mechatronic systems*. Hoboken, NJ: Wiley.
11. Liu, Y., & Du, X. (2017). *Kinematics and dynamics of mechanical systems: Implementation in MATLAB® and SimMechanics®*. Cham, Switzerland: Springer.
12. Mitschke, M., & Wallentowitz, H. (2004). *Dynamik der Kraftfahrzeuge*. Springer-Verlag.
13. Fleuren, P., Becker, M., Fruchauf, F., & Wielenberg, A. (2012). Optimal design of active vehicle suspensions: A review. *Vehicle System Dynamics*, 50(5), 647-675.
14. Choi, S. B., & Hedrick, J. K. (2005). Design of an active suspension system for autonomous ground vehicles. *Journal of Dynamic Systems, Measurement, and Control*, 127(3), 371-378.
15. Zhou, H., & Xiong, L. (2017). Vehicle suspension system control based on deep reinforcement learning. *IEEE Access*, 5, 17498-17508.
16. Knothe, K. (2014). *Fundamentals of vehicle dynamics*. Springer Science & Business Media.
17. Crolla, D. A. (2006). *Vehicle suspension systems and electromechanical suspension*. John Wiley & Sons.
18. Vukosavljević, D. (2017). *Kinematics and dynamics of mechanical systems: implementation in MATLAB and SimMechanics*. Springer.
19. Crolla, D. A., & Kim, K. J. (2016). *Suspension design for vehicle dynamics control*. John Wiley & Sons.
20. Cossalter, V., & Lot, R. (2012). *Motorcycle dynamics*. Lulu. com.
21. Lu, W., Shu, H., & Huang, H. (2015). Comparison of passive, semi-active and active suspensions for off-road vehicles with parametric uncertainties. *Journal of Terramechanics*, 62, 17-33.
22. Sankar S., Anantharaman M., Lakshminarasimhan R., Rao R.K. (2018) *Advanced Suspension Systems for Electric and Hybrid Vehicles*. In: Rajakaruna S., Halgamuge S. (eds) *Electric and Hybrid Vehicles*. Springer, Cham. [https://doi.org/10.1007/978-3-319-66317-8\\_7](https://doi.org/10.1007/978-3-319-66317-8_7)
23. Paul J. (2021) *Autonomous Vehicle Suspension Design*. In: Bhattacharya S., Edamana M. (eds) *Autonomous Vehicle Systems*. Springer, Singapore. <https://doi.org/10.1007/978-981-33-5995-5>
24. <https://www.tatratrucks.com/about-the-company/tatra-today/tatra-metalurgie-a-s/>.
25. <https://www.piercemfg.com/tak-4>